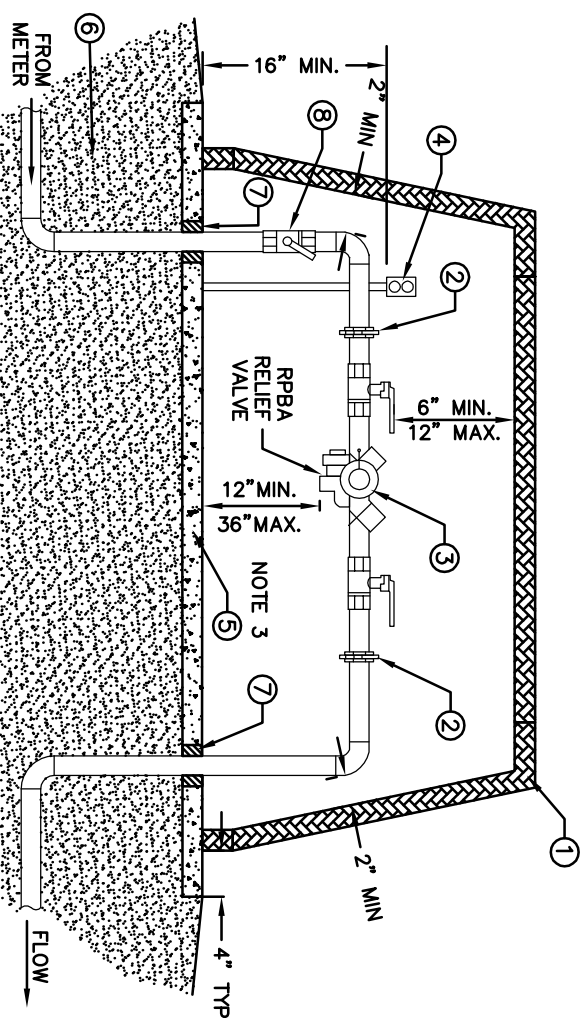


PLAN VIEW
N.T.S.



ELEVATION
N.T.S.

MATERIALS:

- ① INSULATED & HEATED ENCLOSURE.
- ② UNION.
- ③ REDUCED PRESSURE BACKFLOW ASSEMBLY (RPBA) INCLUDES SHUTOFF VALVES 1&2
- ④ ELECTRICAL OUTLET & CONDUIT W/ GFI BREAKER IN PANEL.
- ⑤ CONCRETE PAD - 4" THICK MIN.
- ⑥ COMPACTED CLASS B FILL - (WSDOT)
- ⑦ SEPARATION MEMBRANE WRAP OR PVC SLEEVE
- ⑧ ISOLATION BALL VALVE

GENERAL NOTES:

1. SELECT RPBA FROM WASHINGTON STATE APPROVED LIST OF ASSEMBLIES.
2. RPBA TO BE INSTALLED IN THE MANNER FOR WHICH IT IS APPROVED AND IMMEDIATELY AFTER METERED WATER SERVICE OR FIRE CONNECTION. LOCATION TO BE PRE-APPROVED BY DISTRICT.
3. ALL WETTED SURFACES TO BE IN COMPLIANCE WITH THE LEAD FREE DEFINITION UNDER THE SAFE DRINKING WATER ACT.
4. REQUIRED SEPARATION BETWEEN CONCRETE PAD ⑤ AND METER BOX 24"±6" GRADE, AND OR MAXIMUM FLOOD LEVEL, WITH POSITIVE DRAINAGE AWAY FROM THE SLAB.
5. SIZING OF ENCLOSURE TO MAINTAIN MINIMUM CLEARANCES AT ALL TIMES IS THE RESPONSIBILITY OF THE OWNER.
6. ENCLOSURES MUST PROVIDE PROTECTION FROM ABUSE AND FREEZING. APPROVED PRE MANUFACTURED ENCLOSURES INCLUDE HOT BOX, SAFE-T-COVER (HEATED), OR EQUAL. CUSTOM BUILT ENCLOSURES MUST BE PRE APPROVED BY DISTRICT.
7. ENCLOSURE MUST HAVE DRAIN ADEQUATELY SIZED AND SCREENED TO PASS THE MAXIMUM FLOW OF THE RELIEF VALVE.
8. ENCLOSURE TO BE ANCHORED TO CONCRETE PAD & INSTALLED ACCORDING TO MANUFACTURER'S RECOMMENDATIONS.
9. RECEPTACLE & ELECTRICAL CONDUIT TO CONFORM WITH APPLICABLE ELECTRICAL CODES AND PERMITS.
10. INSTALLATION OF ASSEMBLY AND INITIAL TESTING TO BE INSPECTED AND WITNESSED BY A DISTRICT CROSS CONNECTION SPECIALIST.
11. OWNER RESPONSIBLE FOR INITIAL (UPON INSTALLATION) AND SUBSEQUENT ANNUAL TESTS. MUST BE PERFORMED BY A WASHINGTON STATE CERTIFIED BACKFLOW ASSEMBLY TESTER. (LIST AVAILABLE UPON REQUEST)
12. BEFORE WATER USAGE MAY BEGIN AND/OR CONTINUE. COPIES OF PASSING BACKFLOW PREVENTION TESTS MUST BE RECEIVED BY THE DISTRICT.

APPROVED ON:  AUGUST 16, 2016

PUD NO. 1 OF SKAGIT COUNTY ENGINEERING MANAGER



**STANDARD INSTALLATION OF
2" & SMALLER REDUCED PRESSURE
BACKFLOW ASSEMBLY**

SCALE: NTS	STANDARD
DATE: 7/19/16	
REVISED: 7/19/16	
DRAWN BY: JLB	RPBA1-1
APPROVED BY: GJS	